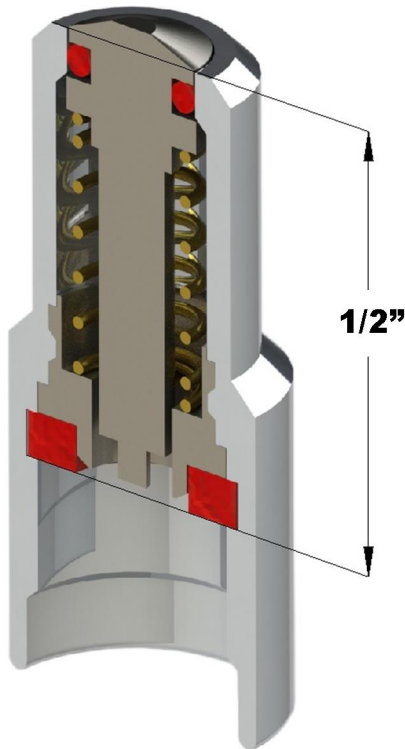


# 6541 Flow-Thru Cap Series



**6541-A**



**Grooved  
Nickel  
Plated**

**6541-B**



**Brass**

**6541-N**



**Knurled  
Nickel  
Plated**

**6541-P**



**Knurled  
Chrome  
Plated**

**Highest Flow-rate in the Industry**

**Made in the  
USA**

- Lightweight design uses both high temperature and low temperature resistant airtight seals at extension tip and valve mouth.
- External grooves or threads accommodate all industry standard air chucks and gauges.
- Knurled or grooved surface for easy hand installation.
- Nickel plated (6541-A & 6541-N) for better appearance and improved corrosion protection.

## **Benefits**

- Ease of serviceability allows for inflation, deflation, and tire pressure gauging through extension.
- Designed to increase productivity by providing 20% more air flow than the leading competition.
- Dual sealing extension does not require use of valve cap for valve stem mouth protection.
- Robust design provides years of trouble free service.
- Manufactured and Leak Tested in Oxford, North Carolina.

**Dill**®

**Air  
Controls  
Products**

**800-815-3455  
Oxford, NC**